



Installation Guide for Point Max™ Glassboards using exposed fasteners

Components furnished by GGI

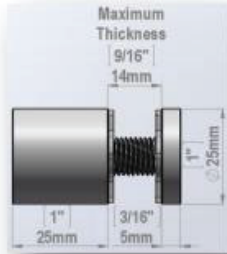
- Point Fittings
 - Body, Washers and Head

Materials Required for Installation

- Safety Gear (Goggles & Gloves)
- Laser Level (preferred) or 4' Level
- Phillips Head Screwdriver
- Drill
- 1/4" Drill Bit
- Tape Measure
- Pencil
- M4 Allen Wrench
- Anchors (based upon mounting surface)

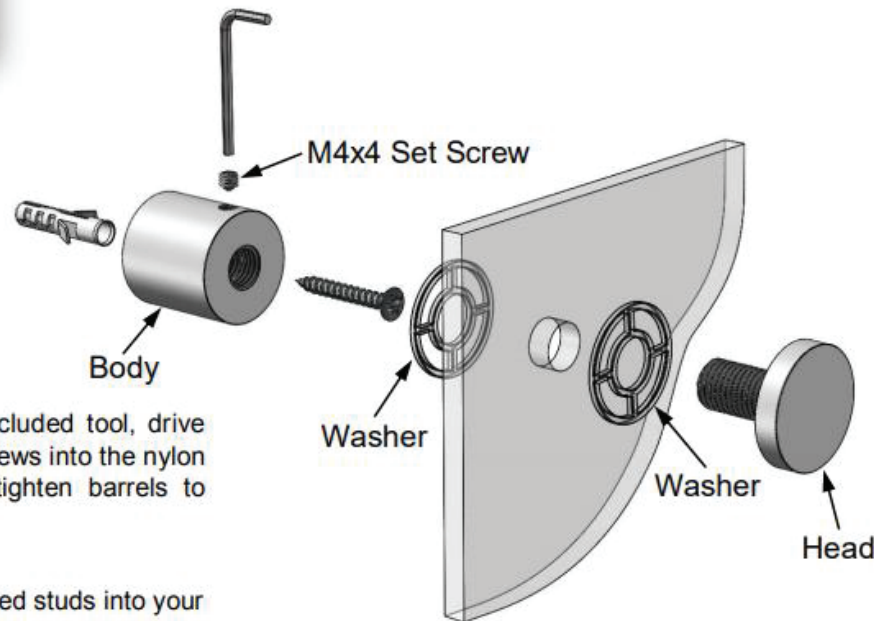


Installation Instructions



1 Use the holes in your material as a template to mark holes on your mounting surface.

2 Pre-drill 1/4" holes in your surface, then insert nylon anchors into the holes and tap them flush.



3 Using the included tool, drive your hanger screws into the nylon anchors, then tighten barrels to surface.

4 Screw threaded studs into your barrels, then place your panel in position and thread on caps until snug.